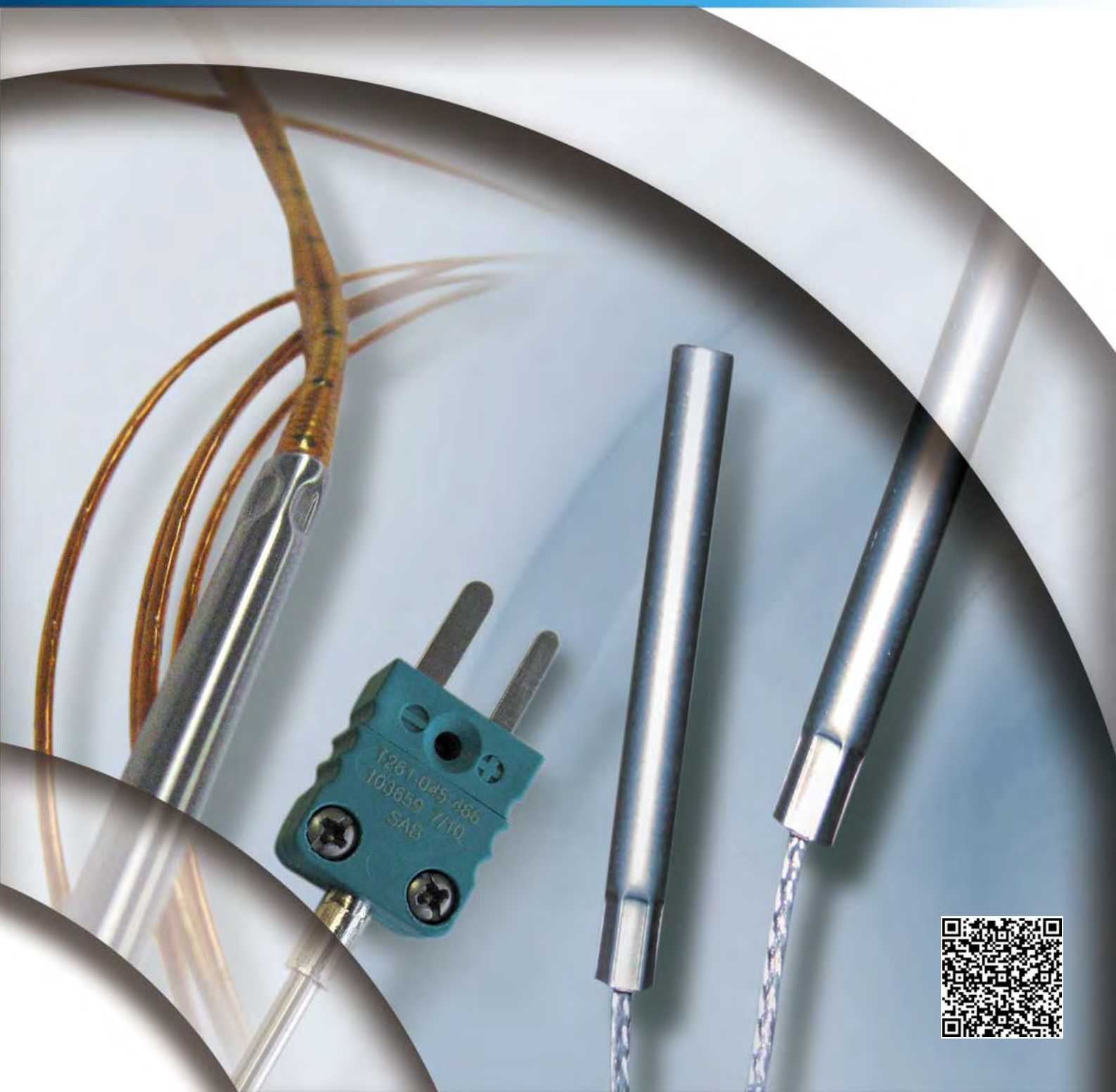


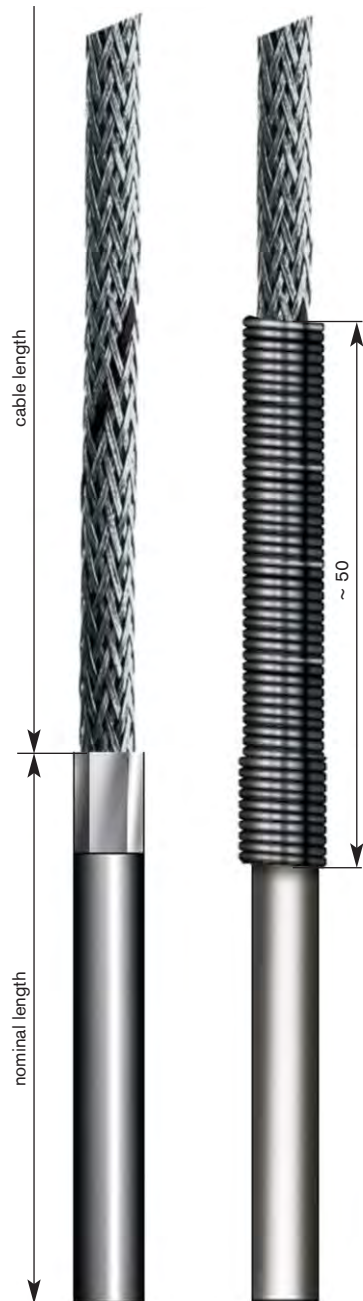
PROBE

WITH STAINLESS STEEL SLEEVE



PROBE WITH STAINLESS STEEL SLEEVE

Thermo probe with connection cable T221-228



connection cable	construction	temperature
<input type="checkbox"/> TH 22 LRV 0,22 mm ²	strand/fiber glass/fiber glass/stainless steel wire armouring	+400°C
<input type="checkbox"/> TH 22 LTV 0,22 mm ²	strand/PFA/fiber glass/stainless steel wire armouring	+250°C
<input type="checkbox"/> TH DRR 0,50 mmØ	wire/fiber glass/fiber glass	+400°C
<input type="checkbox"/> TH 22 LTT 0,22 mm ²	strand/PFA/PFA	+250°C

THERMOCOUPLE:

- 1 x type L 1 x type J 1 x type K
 2 x type L 2 x type J 2 x type K other thermocouples: _____

type J and K acc. to DIN EN 60584
type L acc. to DIN 43710 (no longer valid since 04/94)

SLEEVE-Ø

- 3,5 mm 5,0 mm 7,0 mm
 4,0 mm 6,0 mm 8,0 mm other construction: _____

TYPE OF CABLE ENDS:

- bare ends cable lugs M4
 end sleeve other cable ends: _____

CONNECTION CABLE:

- 1,0 m 2,5 m 5,0 m
 1,5 m 3,0 m 10,0 m
 2,0 m 4,0 m other cable length: _____

TYPE OF MEASURING TIP:

- Form A, insulated measuring tip
 Form B, welded measuring tip

KINK PROTECTION:

- with kink protection with fiber glass tube with heat shrinkable sleeve

NOMINAL LENGTH:

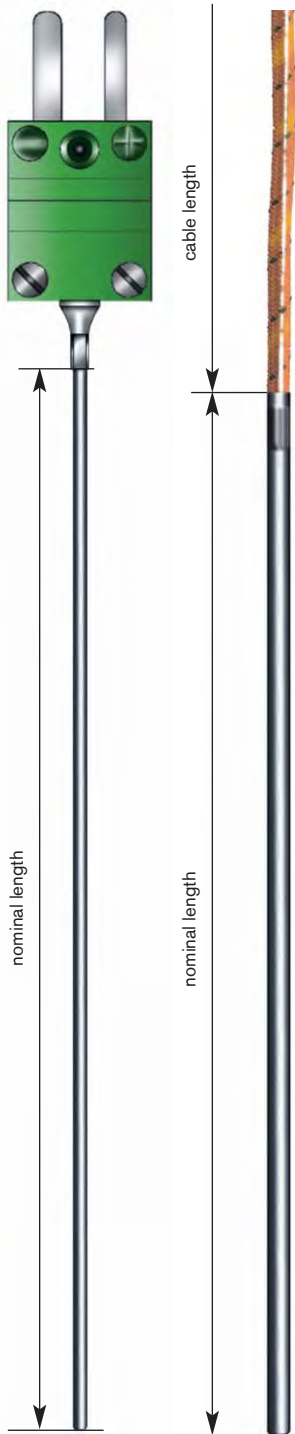
_____ mm



- bent type also available!
- with plate 8 x 15 mm, hole Ø 5 mm
- smaller diameters on request!

PROBE WITH STAINLESS STEEL SLEEVE

Plug-in thermocouple with connection cable T260



connection cable	construction	temperature
<input type="checkbox"/> THEL 0,22 mm ²	strand/fiber glass/fiber glass/Pi foil	+400°C
<input type="checkbox"/> THEL 0,20 mmØ	wire/Pi foil/Pi foil bare wire (+ leg)	+400°C

THERMOCOUPLE:

- 1 x L 1 x J 1 x K

other thermocouples: _____

type J and K acc. to DIN EN 60584
type L acc. to DIN 43710 (no longer valid since 04/94)

SLEEVE-Ø:

- 1,5 mm (only possible with THEL 0,20 mmØ)
 3,0 mm

TYPE OF CABLE ENDS:

- bare ends cable lugs M4 end sleeve
 miniature plug miniature sockets
 other cable ends: _____

CONNECTION CABLE:

- 1,0 m 2,5 m 5,0 m
 1,5 m 3,0 m 10,0 m
 2,0 m 4,0 m other cable length: _____

TYPE OF MEASURING TIP:

- Form A, insulated measuring tip
 Form B, welded measuring tip

NOMINAL LENGTH:

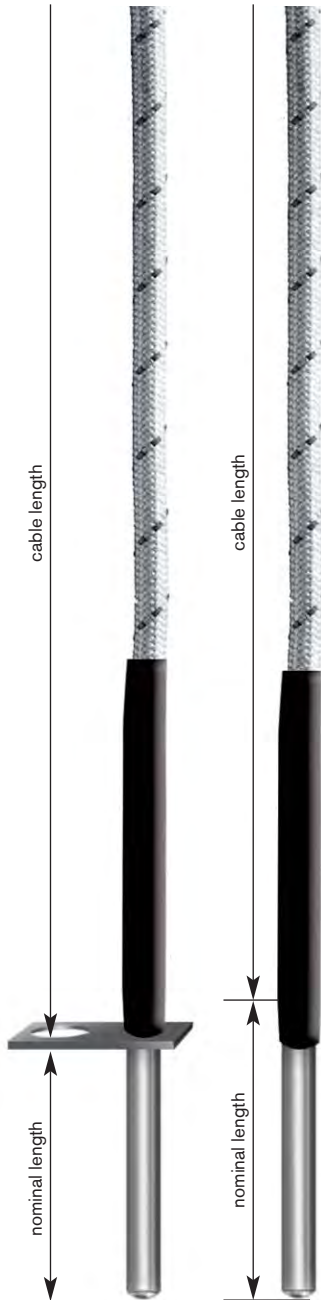
_____ mm



High temperature probe with stainless steel sleeve!

PROBE WITH STAINLESS STEEL SLEEVE

Thermo probe with connection cable T221



connection cable	construction	temperature
<input type="checkbox"/> TH DRR 0,50 mmØ	wire/fiber glass/fiber glass	+400°C

THERMOCOUPLE :

- 1 x L 1 x J 1 x K

other thermocouples: _____

type J and K acc. to DIN EN 60584
type L acc. to DIN 43710 (no longer valid since 04/94)

SLEEVE-Ø

- 3,5 mm

TYPE OF CABLE ENDS:

- bare ends cable lugs M4
 end sleeve other cable ends: _____

CONNECTION CABLE:

- 1,0 m 2,5 m 5,0 m
 1,5 m 3,0 m 10,0 m
 2,0 m 4,0 m other cable length: _____

TYPE OF MEASURING TIP:

- Form B, welded measuring tip
 other measuring tip: _____

KINK PROTECTION:

- kink protection with shrinkable sleeve

NOMINAL LENGTH:

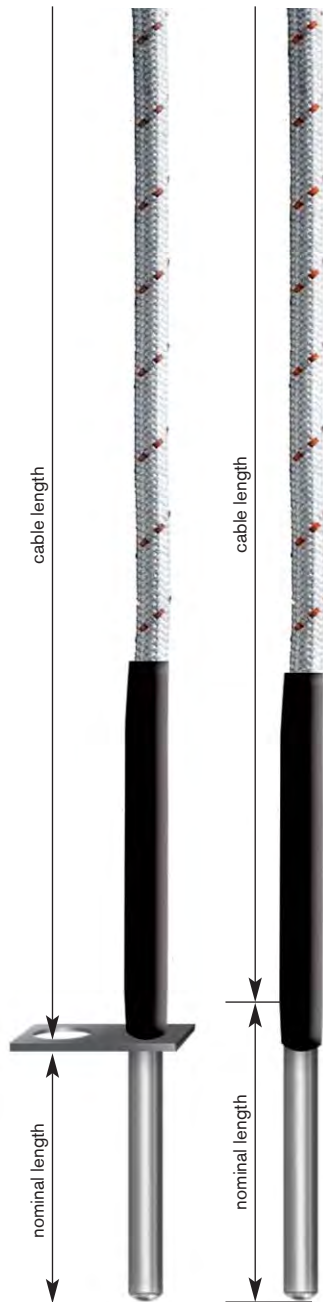
- 30 mm
 other nominal length: _____ mm



- with mounting plate 8 x 15 mm, hole Ø 5 mm

PROBE WITH STAINLESS STEEL SLEEVE

Resistance probe with connection cable T521



connection cable	construction	temperature
<input type="checkbox"/> RRL 0,22 mm ²	strand/fiber glass/fiber glass	+400°C

RTD:

- 1 x Pt 100 class B
 1 x Pt 100 class A
 other RTDs: _____
 Pt 100 gemäß DIN EN 60751

CONNECTION TYPE OF INNER WIRES:

- 2 – wire circuit
 other connection type: _____

SLEEVE-Ø:

- 3,5 mm

TYPE OF CABLE ENDS:

- bare ends
 end sleeve
 cable lugs M4
 other cable ends: _____

CONNECTION CABLE:

- 1,0 m 2,5 m 5,0 m
 1,5 m 3,0 m 10,0 m
 2,0 m 4,0 m other cable length: _____

KINK PROTECTION:

- kink protection with shrinkable sleeve

NOMINAL LENGTH:

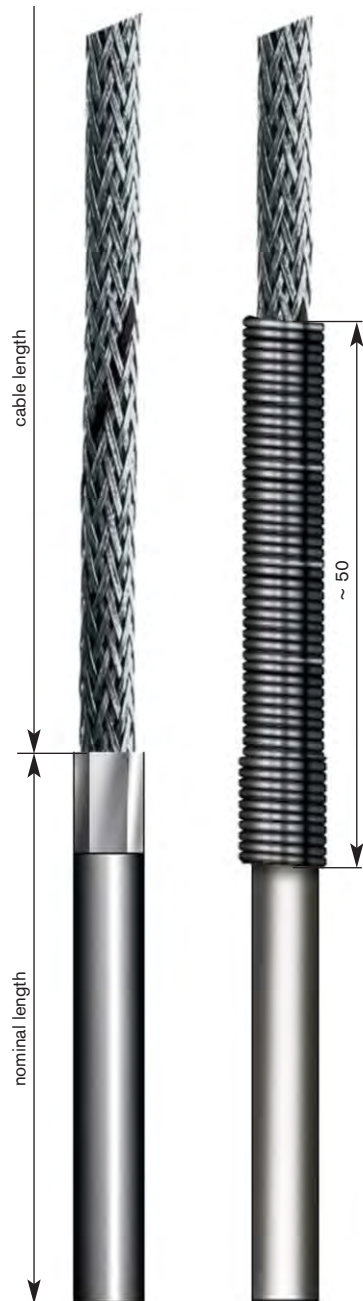
- 30 mm
 other nominal length: _____ mm



- with mounting plate
8 x 15 mm,
hole Ø 5 mm

PROBE WITH STAINLESS STEEL SLEEVE

Resistance probe with connection cable T521 – 528



connection cable	construction	temperature
<input type="checkbox"/> TGV 0,18 mm ²	strand/PFA/fiber glass/stainless steel wire armouring	+250°C
<input type="checkbox"/> TTL 0,18 mm ²	strand/PFA/PFA	+250°C
<input type="checkbox"/> RRL 0,22 mm ²	strand/fiber glass/fiber glass	+400°C
<input type="checkbox"/> RRL-VA 0,22 mm ²	strand/fiber glass/fiber glass/stainless steel wire armouring	+400°C
<input type="checkbox"/> LiYY 0,25 mm ²	strand/PVC/ PVC	+ 70°C

RTD:

- 1 x Pt 100 class B
- 1 x Pt 100 class A
- 2 x Pt 100 class B
- 2 x Pt 100 class A

Pt 100 acc. to DIN EN 60751

CONNECTION TYPE OF INNER WIRES:

- 2-wire circuit
- 3-wire circuit
- 4-wire circuit

SLEEVE-Ø

- 3,5 mm
- 4,0 mm
- 5,0 mm
- 6,0 mm
- 7,0 mm
- 8,0 mm
- other construction: _____

TYPE OF CABLE ENDS:

- bare ends
- end sleeves
- cable lugs M4
- other cable ends: _____

CONNECTION CABLE:

- 1,0 m
- 1,5 m
- 2,0 m
- 2,5 m
- 3,0 m
- 4,0 m
- 5,0 m
- 10,0 m
- other cable length: _____

KINK PROTECTION:

- with kink protection
- with fiber glass tube
- with heat shrinkable sleeve

NOMINAL LENGTH:

_____ mm



- bent type also available!
- with plate 8 x 15 mm, hole Ø 5 mm
- smaller diameters on request!

PROBE WITH STAINLESS STEEL SLEEVE

70 years of experience in temperature measurement and control technique as well as in cable production have made a one man business a company with approximately 500 staff members.

Our strength is not only the production of standard products but also the development and manufacturing of special products according to customers' specifications. Every single product is a challenge for our technical team. We at SAB Bröckskes see ourselves as manufacturer and service provider - in the sense of real partnership and customer oriented work.

If you need temperature probes, accessories or any technical advice for your next application in temperature measurement, please call us.

For further information material on our individual products, please send us the following fax reply.



Fax reply: 0049 / (0)21 62 / 89 81 56

Please send us info material on the following subjects:

- Protecting armatures and gauge slides
- Mineral insulated thermocouples/
Mineral insulated resistance thermometers
- Compensating and extension cables for
thermocouples/Connection cables for
resistance thermometers
- Temperature measurement in test vehicles
- Temperature measurement in plastic processing
plastic processingindustry/Hot runner technique

Company: _____

Name: _____

Position/title: _____

Address: _____

Tel.: _____

Fax: _____

e-mail: _____

SAB BRÖCKSKES GmbH & Co. KG
Grefrather Straße 204 - 212 b · 41749 Viersen · GERMANY · Tel.: +49/21 62/898-0 · Fax: +49/21 62/898-101
www.sab-worldwide.com · info@sab-broeckskes.de





FLEXIBLE CABLES

- Halogen-free cables ■ Cable track cables
- Servo motor cables ■ ETFE, FEP, PFA cables
 - Bus cables ■ Torsion cables
- Hybrid and special cables ■ Control and connection cables
 - Data cables ■ Besilen® (Silicone) cables
- Compensating and extension cables ■ Tray cables

TEMPERATURE MEASUREMENT

- Protecting armatures and gauge slides
- Mineral insulated thermocouples and Mineral insulated resistance thermometers
- Temperature measurement in plastics processing industry/Hot runner technique
 - Diesel thermocouples ■ Probe with stainless steel sleeve
 - Temperature measurement in test vehicles
 - Measurement techniques

CABLE HARNESSING

- Harnessed cables acc. to customer's specification
 - Harnessed cable track cables
 - Helix cables ■ Cable harnesses
- Harnessed motor and transmission cables for Siemens and Indramat drives