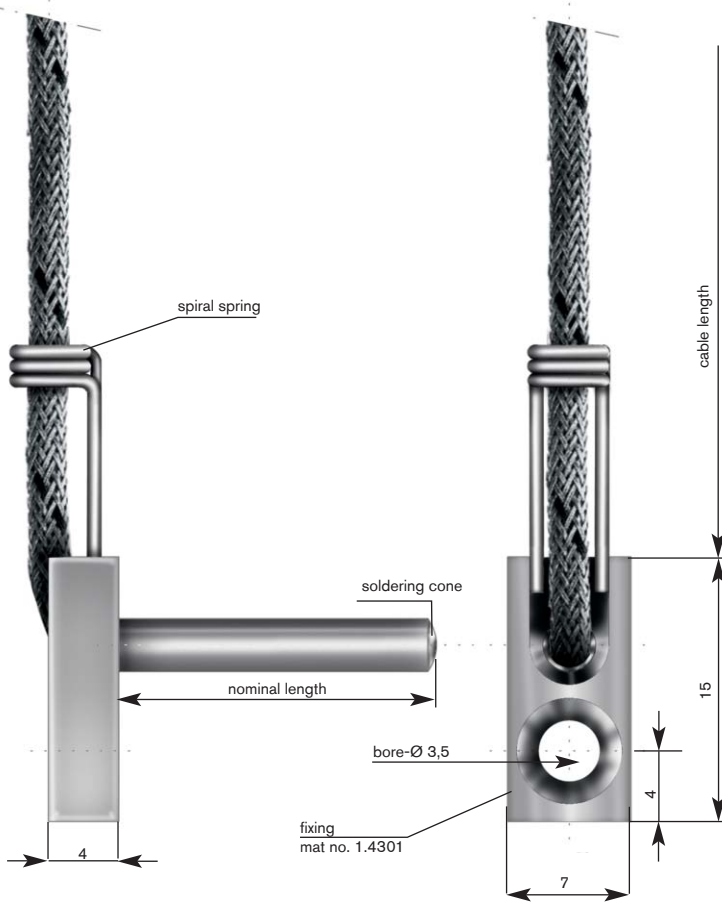


Also available in type K, T or L* and classes 1 or 2!

For the temperature collection at tools. Simple fixing by a screw with initial tension (guarantees the contact between probe and plain to be measured). The stainless steel wire armouring of the connection cable is used as mechanical protection.



THERMOCOUPLE - CLASS 2:

- 1 x type J 1 x type K
- other thermocouples: _____

MEASURING POINT:

- form A, insulated
- form B, grounded

MATERIAL:

- 1.4571

DIAMETER:

- Ø 3,0 mm
- Ø 4,0 mm
- Ø 5,0 mm

FIXING AND SPIRAL SPRING:

- with without

NOMINAL LENGTH: _____ mm

CONNECTION CABLE:

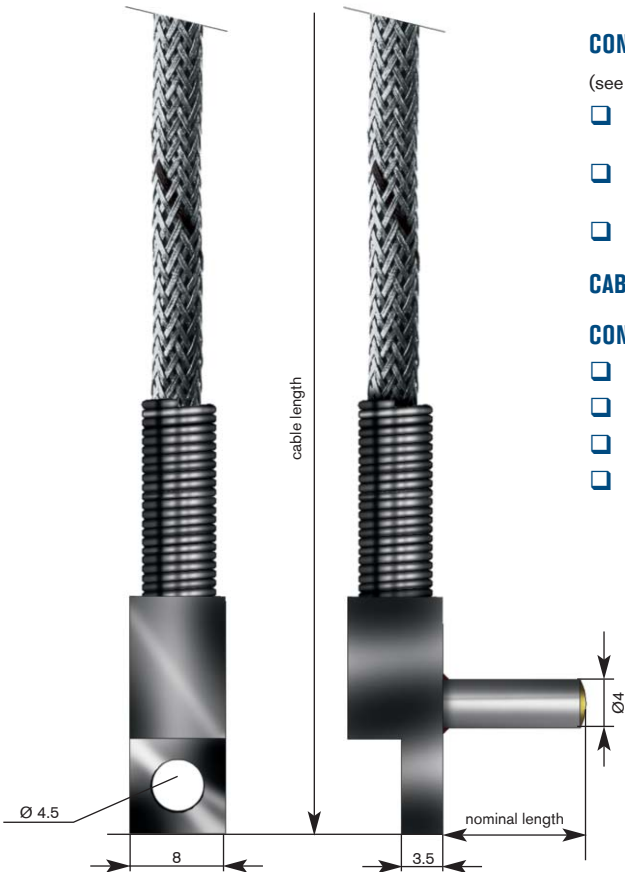
(see also survey of connecting cables for thermocouples)

- extension cable strand/fiber glass/fiber glass/stainless steel wire armouring +400°C
- extension cable strand/PFA/fiber glass/stainless steel wire armouring +250°C
- _____

CABLE LENGTH: _____ m

CONNECTION ENDS:

- miniature thermoplug miniature socket
- standard plug Lemo plug type _____
- clips Lemo socket type _____
- bare ends other cable ends _____



- The above mentioned technical data are standard data.
- Individual parameters, e. g. connection cable, double thermocouple, nominal length, bayonet or cable end can be added or modified on request.