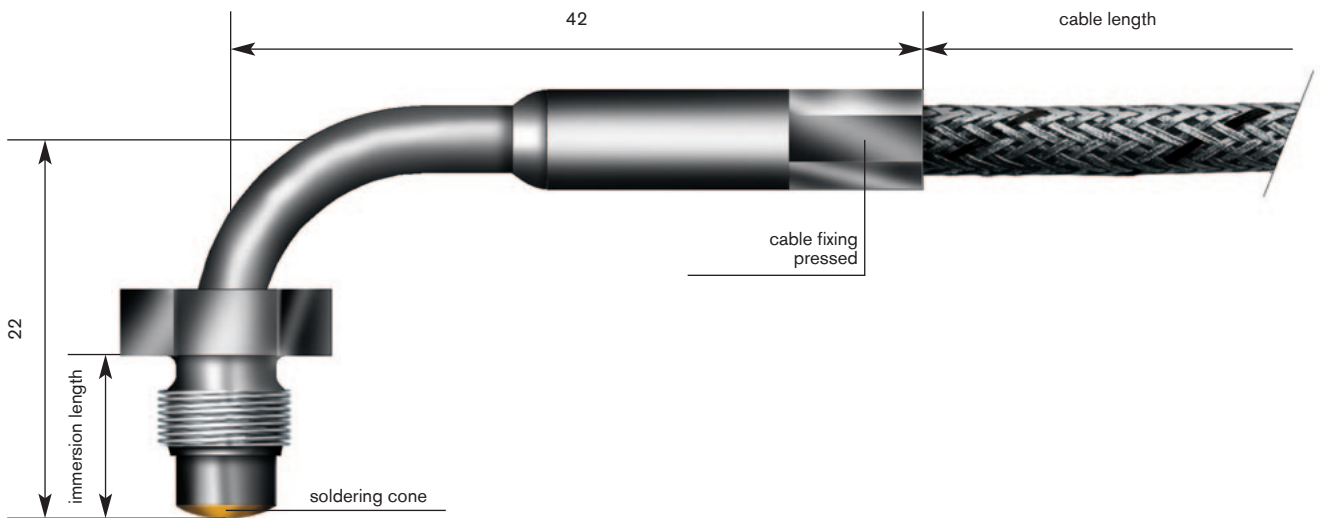


THERMOCOUPLES

ANGLE SCREWED THERMOCOUPLE T235



■ For the temperature collection at injection and die-casting moulds as well as at plastics processing machines. It is especially appropriate, whenever a straight cable lead for example due to space reasons is not possible or wanted. The steel wire armouring of the connection cable is used as mechanical protection. Fixing by a screwed thread.



Also available in type K, T or L* and classes 1 or 2.

* type L acc. to DIN 43710

Thermocouple - class 2:

- 1 x type J
- 1 x type K
- other thermocouples: _____

Measuring point:

- form A, insulated
- form B, grounded

Material:

- 1.4305

Immersion length: _____ mm

Diameter:

- Ø 6,0 mm

Bottom shape:

- soldering cone

Screwing:

- M8 x 1 VA
- dimension: _____

Type:

- with kink protection
- with fiberglass sleeve

Connection cable:

(see also survey of connecting cables for thermocouples)

- extension cable strand/fiber glass/fiber glass/
stainless steel wire armouring +400°C
- extension cable strand/PFA/fiber glass/
stainless steel wire armouring +250°C
- _____

Cable length: _____ m

Connection ends:

- miniature thermoplug
- standard plug
- clips
- bare ends
- miniature socket
- Lemo plug type _____
- Lemo socket type _____
- other cable ends _____



The above mentioned technical data are standard data.

Individual parameters, e. g. nominal length, connection cable, double thermocouple or cable end can be added or modified on request.

Other ring diameters on request.